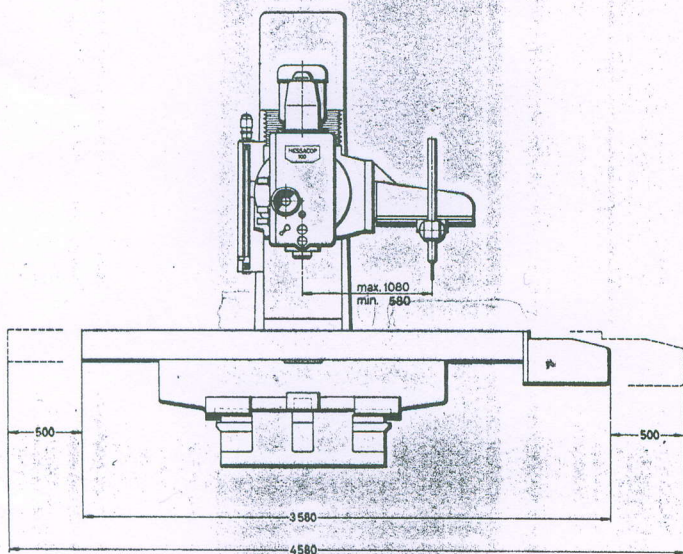


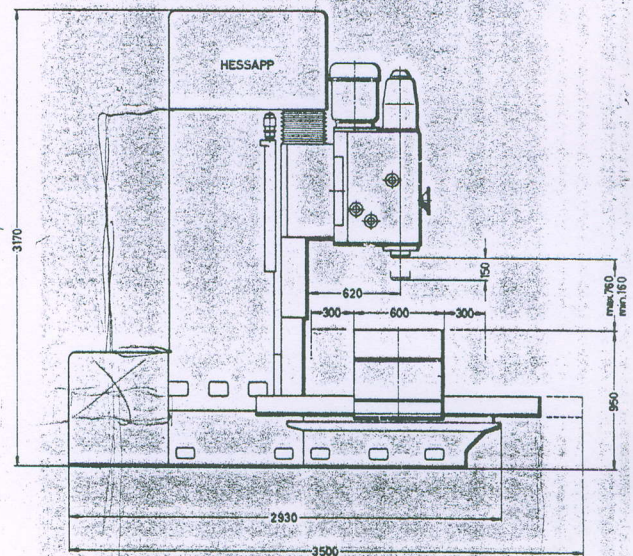
Bed type machine with electronic copy control suitable for all 2 and 3 dimensional copy milling modes which can be carried out both **manually** or **automatically**. All 3-axes are equipped with recirculating ballscrews and D. C. feed motors.

Technical Data:

Clamping Area	
Length	2500 mm
Width	600 mm
Diameter of the milling spindle at the front bearing	100 mm
Diameter of the quill	170 mm
Tool mounting taper	ISA 50
Drive power of the milling spindle	15 HP
Speed range	40-2000 rpm in 18 steps.
Max. components weight	5000 kgs.
Machine weight	10 000 kgs, approx.



HESSACOP 100-et



HESSAPP

Hessische Apparatebau GmbH, Werkzeugmaschinenfabrik, D-6204 Taunusstein 1, Aarstr. 157
 Tel.: (06128) 5143-5144-5145
 Telex: 04-182743